



## FIXED MOUNT AREA IMAGER BAR CODE READER

The Gryphon™ 4000 series represents the premium level of data collection devices from Datalogic ADC. Using advanced imaging technology, the Gryphon™ GFS4400 2D fixed mount bar code reader provides a complete self-contained solution for OEM use into self-service kiosks, price verifiers, ticket readers, document handling, and medical laboratory applications, as well as vending machines and other automated equipment.

Designed for easy integration, the Gryphon GFS4400 2D module provides a 'plug-and-play' solution for system designers. Constructed using high-impact resin to withstand repeated cleanings with solvents and disinfectant solutions, the sealed enclosure meets industrial standards against water and particulates to provide dependable scanning performance.

The GFS4400 2D OEM module features outstanding near-field reading, a wide angle field-of-view, high motion tolerance, snappy reading, and also offers excellent performance on decoding poor or damaged bar codes. As with all Gryphon readers, the GFS4400 reader offers good-read visual confirmation with Datalogic's patented 'Green Spot' technology.

User comfort is maximized with the GFS4400 OEM module's steady, deep red illumination light. Easier on the eyes than competitive products with flicker illumination, the highly visible 4-Dot aimer defines a precise reading zone and reduces accidental reads. The aimer's center cross provides a locator for targeted scanning in a multiple bar code environment.

The GFS4400 OEM module provides snappy reading performance on all common 1D and 2D codes as well as postal, stacked and composite codes like PDF417. For mobile marketing or ticketing applications, this imager also offers excellent performance when reading bar codes from mobile devices.

The GFS4400 OEM module eliminates the need for separate equipment with signature capture and document scanning capabilities.

The GFS4400 OEM module supports several modes that can be used as a trigger. This module has the ability to automatically sense objects and trigger itself. A continuous scan mode captures data whenever a bar code passes into its field-of-view. The reader can also be triggered remotely through software commands or via hardware input from programmable logic controller (PLC) or sensor.

The GFS4400 OEM module supports an RS-232 serial interface, a USB HID Keyboard and a USB COM interface. Available in two models, the GFS4450-9 model supports an RS-232 serial interface, or the GFS4470 features a USB interface.

## FEATURES

- Highly visible 4-Dot aimer with center cross for targeted scanning
- Omnidirectional reading
- Advanced motion tolerance optics
- Image capture and document scanning capabilities
- Reads bar codes down to 4mils
- Reads 1D, 2D and postal codes plus stacked and composite codes
- Interface options: RS-232 or USB
- Datalogic's patented Green Spot for good-read feedback
- Integrated good-read beeper
- Automatic sensing or manual trigger options available
- High-impact resin creates a solvent-tolerant enclosure
- Water and Particulate Sealing Rating: IP54



## DECODING CAPABILITY

1D / LINEAR CODES	Autodiscriminates all standard 1D codes including GS1 DataBar™ linear codes.
2D CODES	Aztec Code; China Han Xin Code; Data Matrix; MaxiCode; Micro QR Code; QR Code
POSTAL CODES	Australian Post; British Post; China Post; IMB; Japanese Post; KIX Post; Korea Post; Planet Code; Postnet; Royal Mail Code (RM4SCC)
STACKED CODES	EAN/JAN Composites; GS1 DataBar Composites; GS1 DataBar Expanded Stacked; GS1 DataBar Stacked; GS1 DataBar Stacked Omnidirectional; MacroPDF; MicroPDF417; PDF417; UPC A/E Composites

## ELECTRICAL

CURRENT	Operating (Typical): < 180 mA Standby/Idle (Typical): Automatic Object Sense Mode: 115 mA Online & Serial OnLine Modes: 65 mA
INPUT VOLTAGE	5 VDC +/- 5%

## ENVIRONMENTAL

AMBIENT LIGHT	0 - 100,000 lux
DROP RESISTANCE	Withstands repeated drops from 0.76 m / 2.50 ft onto a concrete surface
HUMIDITY (NON-CONDENSING)	5-95%
PARTICULATE AND WATER SEALING	IP54
TEMPERATURE	Operating: -20 to 50 °C / -4 to 122 °F Storage/Transport: -20 to 70 °C / -4 to 158 °F

## INTERFACES

INTERFACES	OEM (IBM) USB; RS-232; USB: USB COM; USB HID Keyboard
------------	---

## PHYSICAL CHARACTERISTICS

COLORS AVAILABLE	Grey; Other colors and custom logo options are available for minimum quantity purchase.
DIMENSIONS	3.9 x 5.7 x 5.8 cm / 1.5 x 2.2 x 2.3 in
WEIGHT (WITH CABLE)	USB: 170 g / 6.3 oz RS-232: 204 g / 7.2 oz

## READING PERFORMANCE

IMAGE CAPTURE	Graphic Formats: BMP, JPEG, TIFF; Greyscale: 256, 16, 2
IMAGER SENSOR	Wide VGA: 752 x 480 pixels
LIGHT SOURCE	Aiming: 650 nm VLD
PRINT CONTRAST RATIO (MINIMUM)	25%
READING ANGLE	Pitch: +/- 40°; Roll (Tilt): 180°; Skew (Yaw): +/- 40°
READING INDICATORS	Beeper (Adjustable Tone); Datalogic 'Green Spot' Good Read Feedback; Good Read LED
RESOLUTION (MAXIMUM)	1D Linear: 0.102 mm / 4 mils Data Matrix: 0.178 mm / 7 mils PDF417: 0.102 mm / 4 mils

## READING RANGES

TYPICAL DEPTH OF FIELD	Minimum distance determined by symbol length and scan angle. Printing resolution, contrast, and ambient light dependent. Code 39: 5 mil: 4.7 to 17.7 cm / 1.8 to 7.0 in Code 39: 10 mil: 1.7 to 33.2 cm / 0.7 to 13.1 in Data Matrix: 10 mil: 2.7 to 17.1 cm / 1.0 to 6.7 in Data Matrix: 15 mil: 1.2 to 24.6 cm / 0.5 to 9.7 in EAN: 13 mil: 2.5 to 41.9 cm / 1.0 to 16.5 in PDF417: 10 mil: 2.2 to 23.9 cm / 0.9 to 9.4 in QR Code: 10 mil: 3.5 to 16.0 cm / 1.4 to 6.3 in
------------------------	--

## SAFETY & REGULATORY

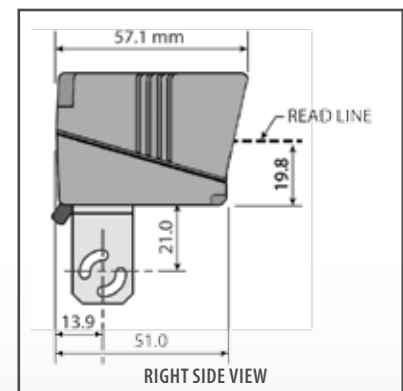
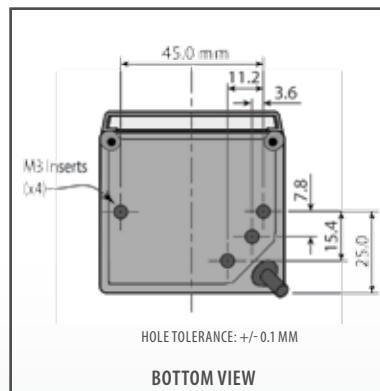
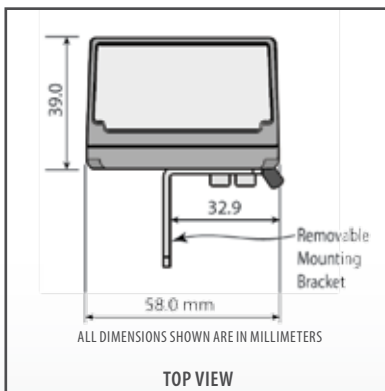
AGENCY APPROVALS	The product meets necessary safety and regulatory approvals for its intended use. The Quick Reference Guide for this product can be referred to for a complete list of certifications.
ENVIRONMENTAL COMPLIANCE	Complies to China RoHS; Complies to EU RoHS
LASER CLASSIFICATION	Caution Laser Radiation - Do not stare into beam; IEC 60825, Class2

## UTILITIES

DATALOGIC ALADDIN™	Datalogic Aladdin configuration program is available for download at no charge.
OPOS / JAVAPOS	JavaPOS Utilities are available for download at no charge. OPOS Utilities are available for download at no charge.
REMOTE HOST DOWNLOAD	Lowers service costs and improves operations.

## WARRANTY

WARRANTY	3-Year Factory Warranty
----------	-------------------------





## About BarcodesInc

### Who We Are

BarcodesInc is North America's leading provider of barcode and mobile computing solutions. We are a leading provider of barcode and mobile computing solutions. We are a leading provider of barcode and mobile computing solutions.

### We Owe Our Success To You

Our success is due to the support and trust of our customers. We are committed to providing the highest quality products and services to our customers.

## Why Choose BarcodesInc?

### Dedicated Account A UbU Yf

Our Account Managers will not compromise when it comes to providing you top-notch service. Your Account Manager is the primary point of contact for your business and makes it a priority to get to know you, your company and all your needs.

### Highly-Trained Technical Support

Our technical staff has the broadest knowledge and every significant certification in the industry. One of our friendly experts is always available to suggest products and solutions for any situation.

### Incredible Value

Our purchasing power means big savings for you. Whatever your project, our team will work hard to deliver a solution that fits your budget.

### Largest Inventory in the Industry and Same-Day Shipping

Whatever your barcoding, mobile computing, or printing needs, we will fill your order and ship it the same day.

### Premier Access to Top Manufacturers

BarcodesInc maintains strong strategic partnerships with the leading manufacturers in barcoding, mobile computing, printing and RFID.

### Responsive Customer Service

Every phone call and email is responded to promptly, completely and accurately by our customer service team.

### Easy Returns

Damaged, defective or incorrectly ordered goods may be returned without hassle.

## BRANDS



AND MORE