

# PDL-20

Portable Laser Data Collector



- Integrated laser scan functionality
- Convenient, one-handed operation
- Ergonomic, modern cellular phone styling
- Built-in 96-character LCD
- 2MB internal memory
- Managing data via RS-232C
- Extended battery life enables over 100 hours of scanning
- PC-based task generator for customized applications

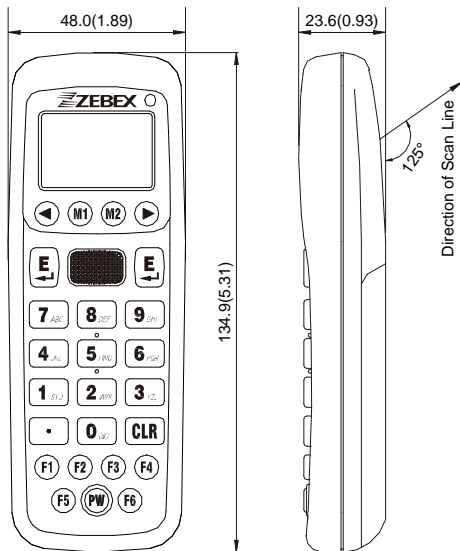
◀ Actual size



⚠ Product availability and specifications depend on territory market strategy; all are subjects to change without prior notice.  
ZEBEX is the trademark of ZEBEX INDUSTRIES INC., all rights reserved.

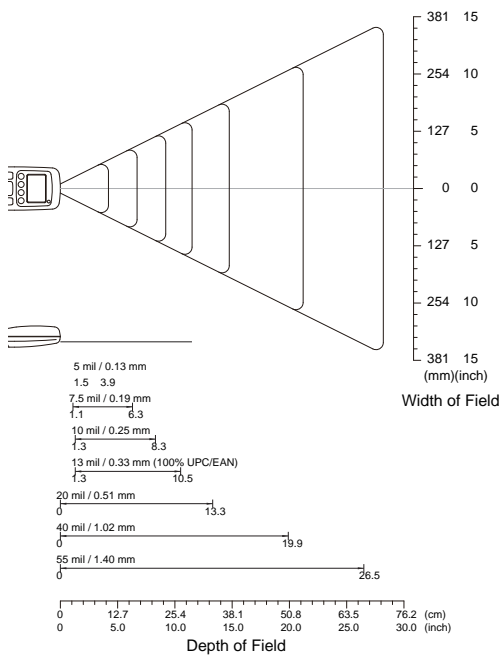
**ZEBEX**  
www.zebex.com

[Dimensions]



Unit: mm(inch)

[Scan Field]



[Specifications]

SYSTEM	
CPU	8-bit C-MOS microprocessor
RAM	2MB
F-ROM	128KB
Display (LCD)	FSTN, 96x49 dots graphic backlight LCD (6x16 characters)
Keypads	Total 26-key for alpha/numeric input and system control
Indicators (LED)	Two-color LED (green & red)
Beeper Operation	Programmable tone & beep time
Interface	RS-232
POWER	
Main Battery	3.7V, 830 mAh, Li-Ion rechargeable battery
Backup Battery	3.0V, 25 mAh, Li-Ion rechargeable battery
Battery Life	100 hours at 12 scans per minute
SCANNER	
Engine Type	1D laser scanner
Light Source	650 nm visible laser diode (VLD)
Scan Rate	100 scans per second
Print Contrast	30% @ UPC/EAN 100%
Depth of Field	20 – 670 mm
PHYSICAL	
Dimensions	(L)134.9 × (W)23.6 × (H)48.0 mm
Weight	123 g (battery included)
ENVIRONMENTAL	
Operating Temperature	0°C – 50°C (32°F – 122°F)
Storage Temperature	-10°C – 60°C (14°F – 140°F)
Operating Humidity	10% – 70% RH (non-condensing)
Storage Humidity	5% – 70% RH (non-condensing)
Drop Durability	Designed to withstand 1M drops
Light Levels	Max. 4,500 Lux (fluorescence)
REGULATORY	
EMC	CE & FCC Part 15B, 15C
SOFTWARE & DEVELOPMENT	
(a) Built-in free task; (b) Support the TaskGen software; (c) Application generator and SDK support	

[Model Selections]

Model	Scanner	WLAN	Bluetooth®
PDL-20	1D laser	—	—



[Accessories]

- Cradle (RS-232 or USB cable for communication and charging)
- RS-232 communication cable for device to PC
- Standard battery pack
- AC adaptor DC 9V, 1A
- Neck strap & holster

