

SP300 SERIES

High Speed Reliable Dot Matrix Printers

FEATURES

- ✦ Speed up transactions with ultra high speed SP317/347 (5.5 LPS)
- ✦ High performance receipt printers
- ✦ Paper rewind option for journals and audits
- ✦ Industry famous reliability
- ✦ Adjustable paper path
- ✦ Graphics, logo capabilities
- ✦ Internal international character sets available



MODELS AVAILABLE

- SP317 - Ultra High Speed Tear Bar Version
- SP347 - Ultra High Speed Autocutter Version
- SP312 - High Speed Tear Bar Version
- SP342 - High Speed Autocutter Version
- SP349 - Vertical Document Model
- UP389 - Kiosk Model With Presenter
- SP321/322/323 - Sprocket Version

APPLICATIONS

Receipt Printer

POS Systems / Credit Card Authorization,
1 + 2 copies

Ticket Printer

Entrance Tickets and Coupons

Kiosk Printer

With Presenter for Jam-Free Operation

Fan Fold Forms

Sprocket Version

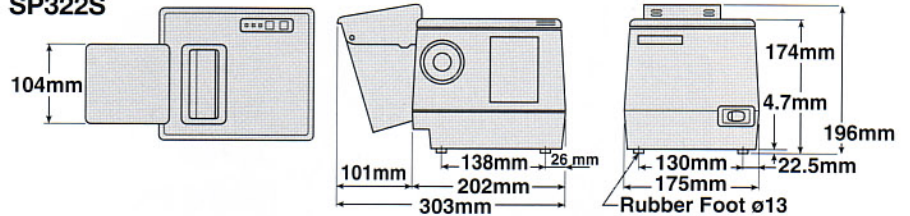
Remote Printer

For Kitchen Applications

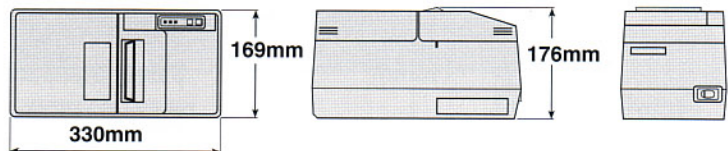


DIMENSIONS

SP322S



SP342 / 347



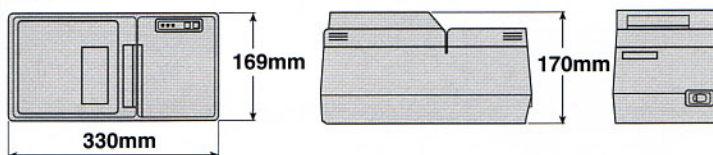
SOLUTIONS



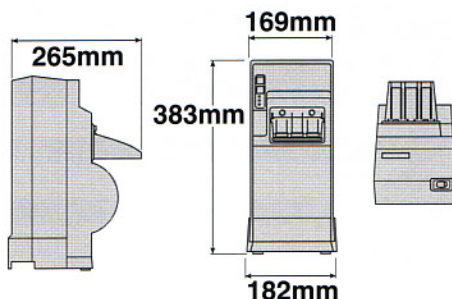
	SP317F / SP347F	SP312F / SP342F	SP349F / UP389F	SP321S / SP322S	SP323S
Print Speed	5.5 LPS (23mm/sec)	3.2 LPS (13.5mm/sec)		4.2 LPS (17.6mm/sec) 3.2 LPS (13.5mm/sec)	3.6 LPS (15.1mm/sec)
Print Width	2.6" (67.7mm max)	2.5" (65.7mm max)		2.2" (58mm/65.7mm)	2.2" (58mm)
Line Spacing		1/6", 1/8", n/144"		1/6", n/72"	
Print Head	Dual 9 Pin		9 Pin		
No. of Columns		40 (max)		28/40	35
Print Direction			Bi-directional		
Paper Specifications					
Width	2.25", 3", 3.25"		2.25", 3", 3.25"/ 3", 3.25"	3", 3.5"/ 3.5"	3", 3.5"
Thickness			0.003"-0.004"		
Roll Diameter		3.35" (85mm)		N/A	N/A
Copies		1 ply: 0.05-0.08mm, original + 2: 0.2mm max.			
Paper Sensors			Paper out - mechanical switch		
Ribbon					
Type			Cassette		
Life			Purple: 6 million, Black: 1.6 million		
Reliability					
Printer Head			18 million MCBF (CRT) 200 million characters		
Cutter		SP347/SP342-600,000 cuts		N/A	
Operating Conditions					
Temperature		0°C-50°C		20°C-70°C	
Humidity		10%-90% RH		5%-95% RH	
Power Supply			Built-in 120V AC (60Hz)		
Interface			Serial RS232C, Parallel (IEEE1284), Options: RS422A, 20m A Current Loop		
Data Buffer	1K byte		4K bytes		
Emulation			Star Line mode		
Options	Rewinder - PW300		Rewinder - PW349	N/A	
Cash Drawer	2 drivers with compulsion sensor/N/A-UP389			2 drivers with compulsion sensor	
Autocutter	SP347/SP342-partial cut		partial cut/full cut	N/A	
Drivers	Win'95/'98/2000, NT 4.0, OPOS, JavaPOS™			N/A	
Safety Standards			UL, C-UL, TUV		
Case Color			Putty		

DIMENSIONS

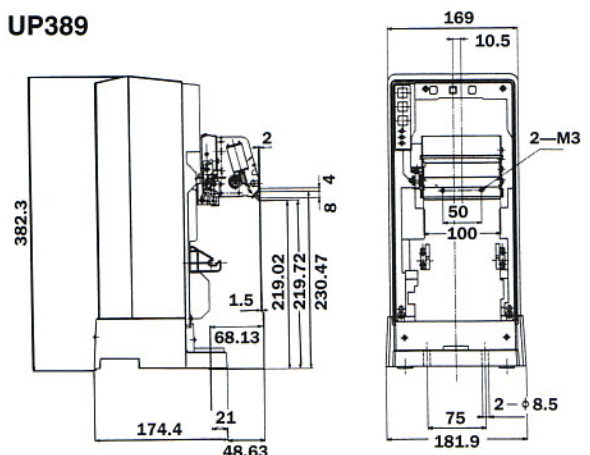
SP312 / 317



SP349



UP389





About BarcodesInc

Who We Are

BarcodesInc is North America's leading provider of... [The following text is intentionally obscured with noise for this block]

We Owe Our Success To You

Our success is due to the support of our customers... [The following text is intentionally obscured with noise for this block]

Why Choose BarcodesInc?

Dedicated Account A UbU Yf

Our Account Managers will not compromise when it comes to providing you top-notch service. Your Account Manager is the primary point of contact for your business and makes it a priority to get to know you, your company and all your needs.

Highly-Trained Technical Support

Our technical staff has the broadest knowledge and every significant certification in the industry. One of our friendly experts is always available to suggest products and solutions for any situation.

Incredible Value

Our purchasing power means big savings for you. Whatever your project, our team will work hard to deliver a solution that fits your budget.

Largest Inventory in the Industry and Same-Day Shipping

Whatever your barcoding, mobile computing, or printing needs, we will fill your order and ship it the same day.

Premier Access to Top Manufacturers

BarcodesInc maintains strong strategic partnerships with the leading manufacturers in barcoding, mobile computing, printing and RFID.

Responsive Customer Service

Every phone call and email is responded to promptly, completely and accurately by our customer service team.

Easy Returns

Damaged, defective or incorrectly ordered goods may be returned without hassle.

BRANDS



AND MORE